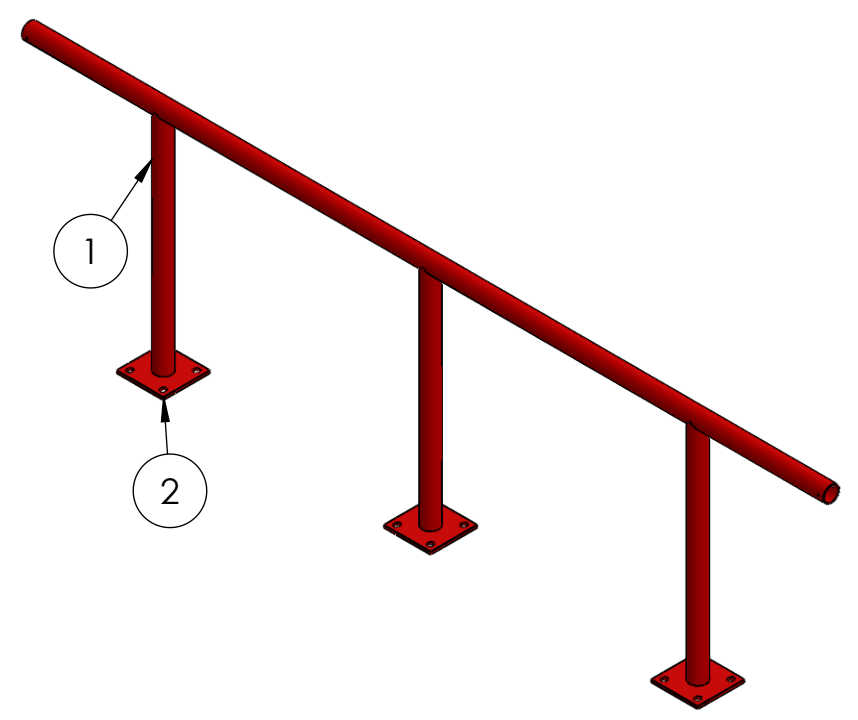
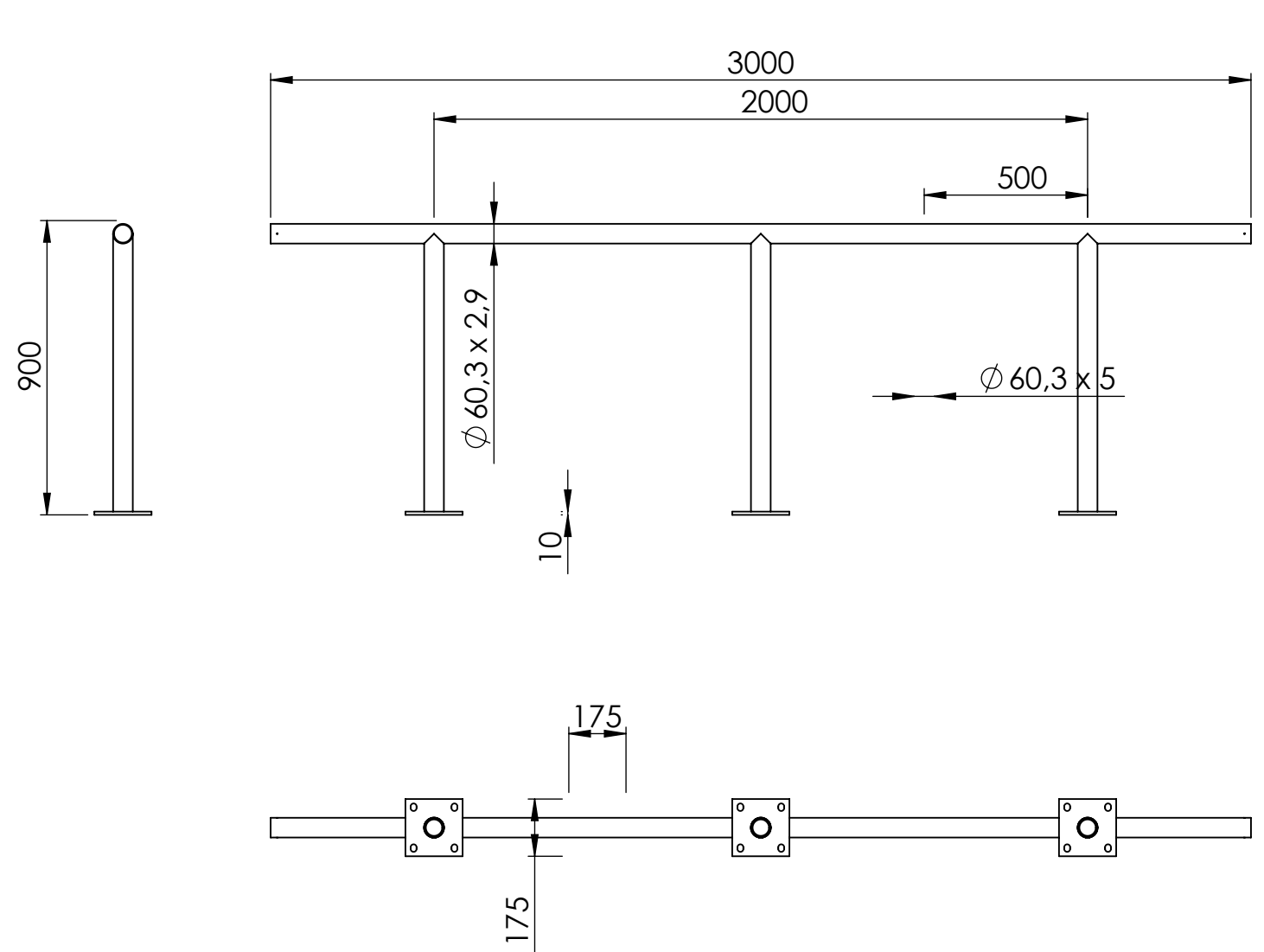


ITEM NO.	PART NUMBER	DESCRIPTION	QTY.	MATERIAL	Weight	Weight total
1	21-11-002	Leuning buis 3 m	1	1.0037 (S235JR)	29,2 kg	29,2 kg
2	21-11-003	Voetplaat	3	1.0037 (S235JR)	2,1 kg	6,3 kg
					Total	35,5 kg

Opp = 1212039.66 mm<sup>2</sup> = 1,212 m<sup>2</sup>



	Date	Name	<input type="checkbox"/> Sales	<input type="checkbox"/> Production
Drw.	21-11-2023	B.t.D.	Description <b>Leuning middenstuk 3m</b>	
Chkd.				
			Drawing no. VMI.Art.nr.	REV. Sheet
Bedrijvenpark Twente 237 7602 KJ Almelo This document is confidential. All rights reserved Van Merksteijn Fences - Netherlands.			<b>21-11-03</b>	1
			Form. Sheets	1
			A3	
Release Level:				