

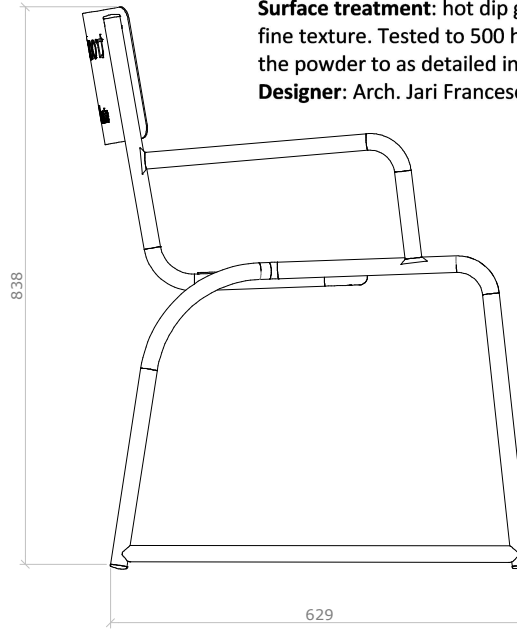
Weight: 12,7 kg

**Material frame:** steel tube S235JRH 25x2 mm

**Material seat and backrest:** steel metal sheet S235JR

**Surface treatment:** hot dip galvanization according to UNI EN ISO 1461. Powder coating 80 micron, fine texture. Tested to 500 h salt spray test according to DIN 50021 or ISO 9227-SS. UV resistance of the powder to as detailed in the Qualicoat guarantee table.

**Designer:** Arch. Jari Franceschetto



CUSTOMER	DRAWING N°		© copyright by <b>euroform w</b> euroform K. Winkler s.r.l. I-39032 Campo Tures (BZ) T +39 0474 061120 F +39 0474 061121 mail: info@euroform-w.it web: www.euroform-w.com
GroundLevel	NL2022-002-A1		
PROJECT	SCALE	DATE	
trooststoel stad Leuven	1:8	16.01.2024	
	NAME		
	David W.		