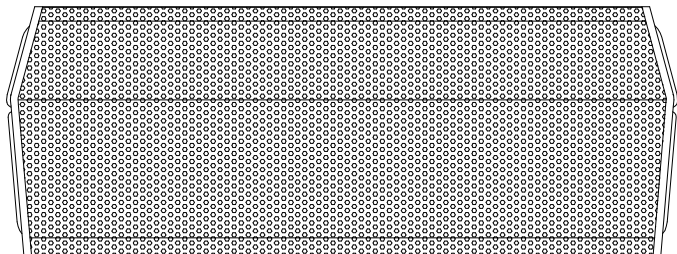
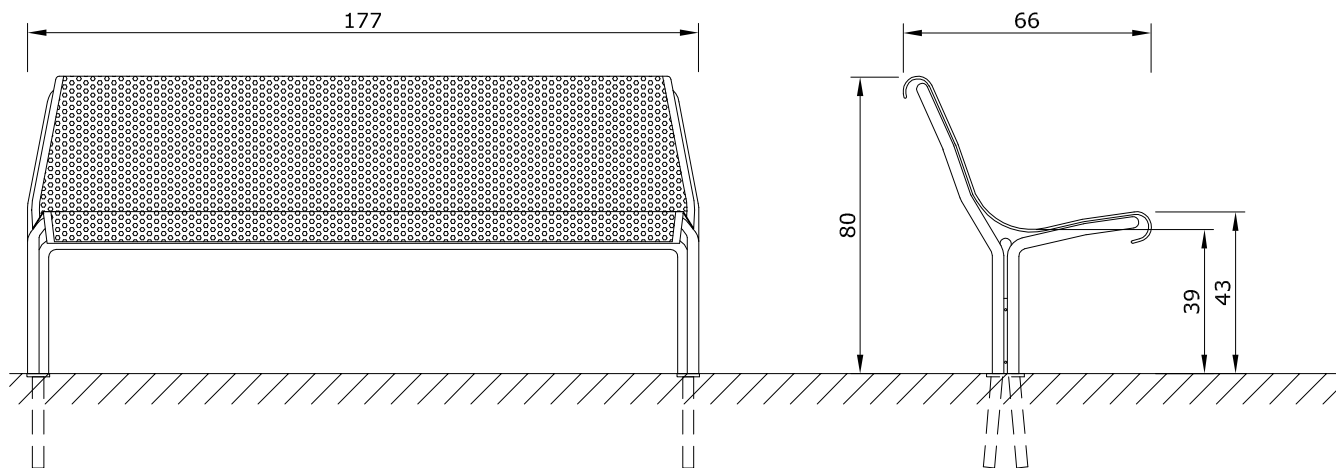


PANCA PER PARCO
PARKBANK
PARK BENCH

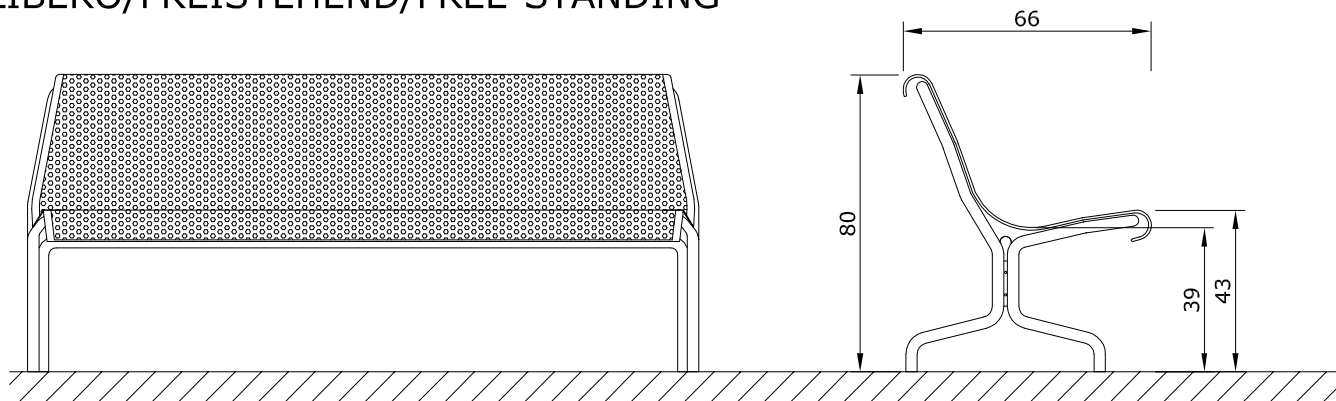
ORIGINAL
euroform W[®]

MOD. 325M

FISSO/FEST/FIX



LIBERO/FREISTEHEND/FREE-STANDING



Material frame: tubular steel S235JRH, 30,0x2,0 mm and 30,0x3mm

Material seat: expanded metal DC04 thickness 3 mm knurled with a U-profile.

Surface treatment: hot dip galvanization according to UNI EN ISO 1461. Powder coating 80 micron, fine texture. Tested to 500 h salt spray test according to DIN 50021 or ISO 9227-SS. UV resistance of the powder to as detailed in the Qualicoat guarantee table.

Designer: Arch. Bernhard Winkler

Maßstab 1:20