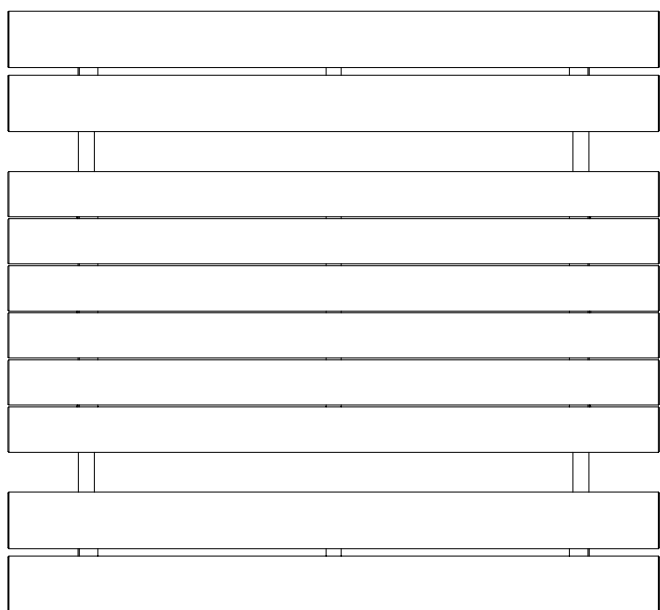
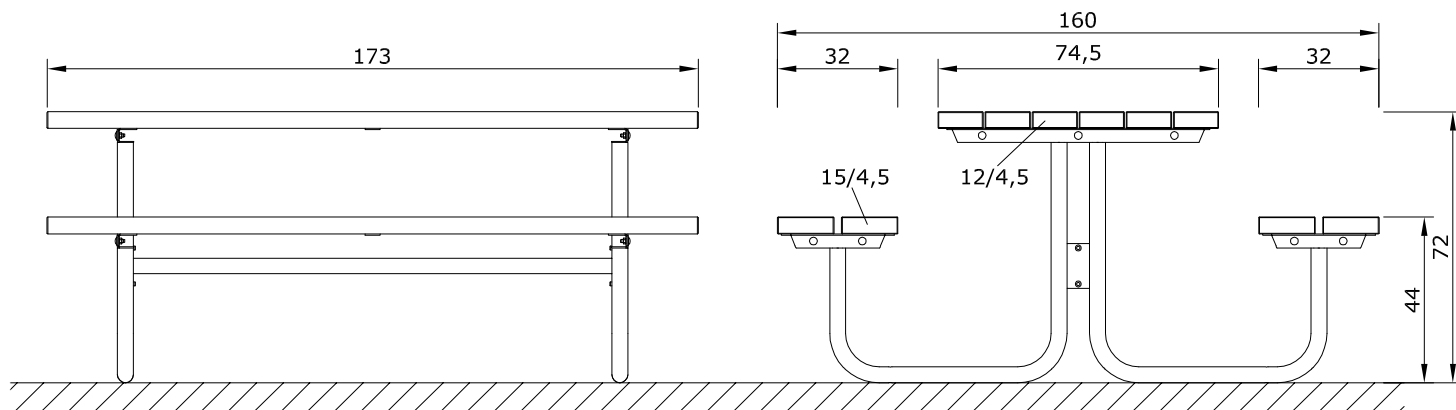


PIC-NIC VENUS
PICKNICK VENUS
PICNIC VENUS

ORIGINAL
euroform W[®]

MOD. 562



Material frame: tubular steel S235JRH, 42,0x2,0 mm

Material seat: untreated FSC certified Movingui

Surface treatment metal: hot dip galvanization according to UNI EN ISO 1461. Powder coating 80 micron, fine texture. Tested to 500 h salt spray test according to DIN 50021 or ISO 9227-SS. UV resistance of the powder to as detailed in the Qualicoat guarantee table.

Designer: Arch. Bernhard Winkler

Maßstab 1:20